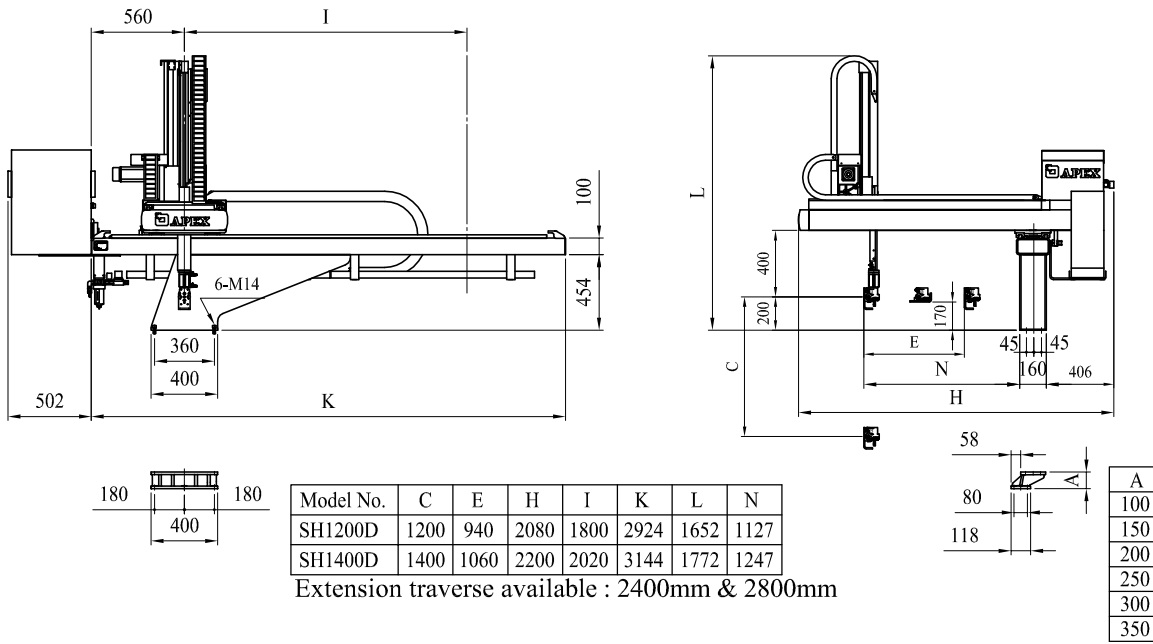
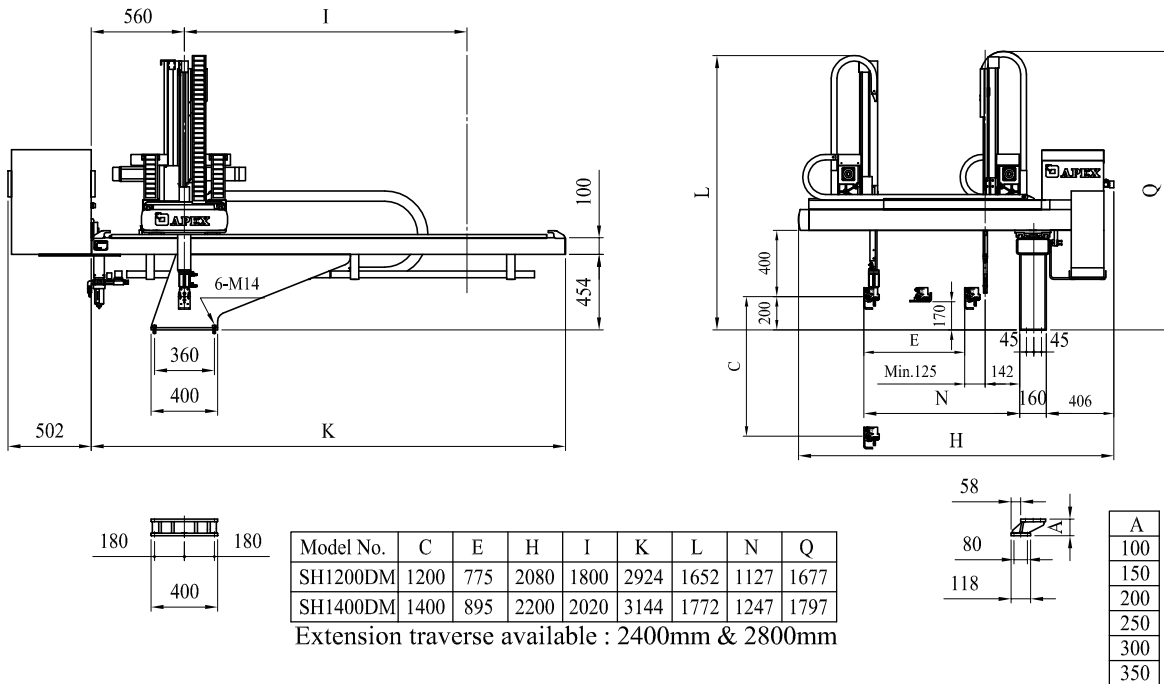


# Mechanical Drawings

## SH1200D~SH1400D



## SH1200DM~SH1400DM



# Technical Specifications

Model No.		Stroke ( mm )					Max. Payload (Kg)	Net Weight (Kg)	Operating Air Pressure
		Crosswise ( kick )		Vertical		Traverse ( I )			
		Main ( E )	Sub	Main ( C )	Sub				
SH1200D	Telescopic & Single-Arm	940	-	1200	-	1800	12	475	5 kg/cm <sup>2</sup>
SH1400D	Telescopic & Single-Arm	1060	-	1400	-	2020	12	500	
SH1200DM	Telescopic & Double-Arm	775	775	1200	1250	1800	12	500	
SH1400DM	Telescopic & Double-Arm	895	895	1400	1450	2020	12	525	

Operation Voltage: AC 220V 3 phase